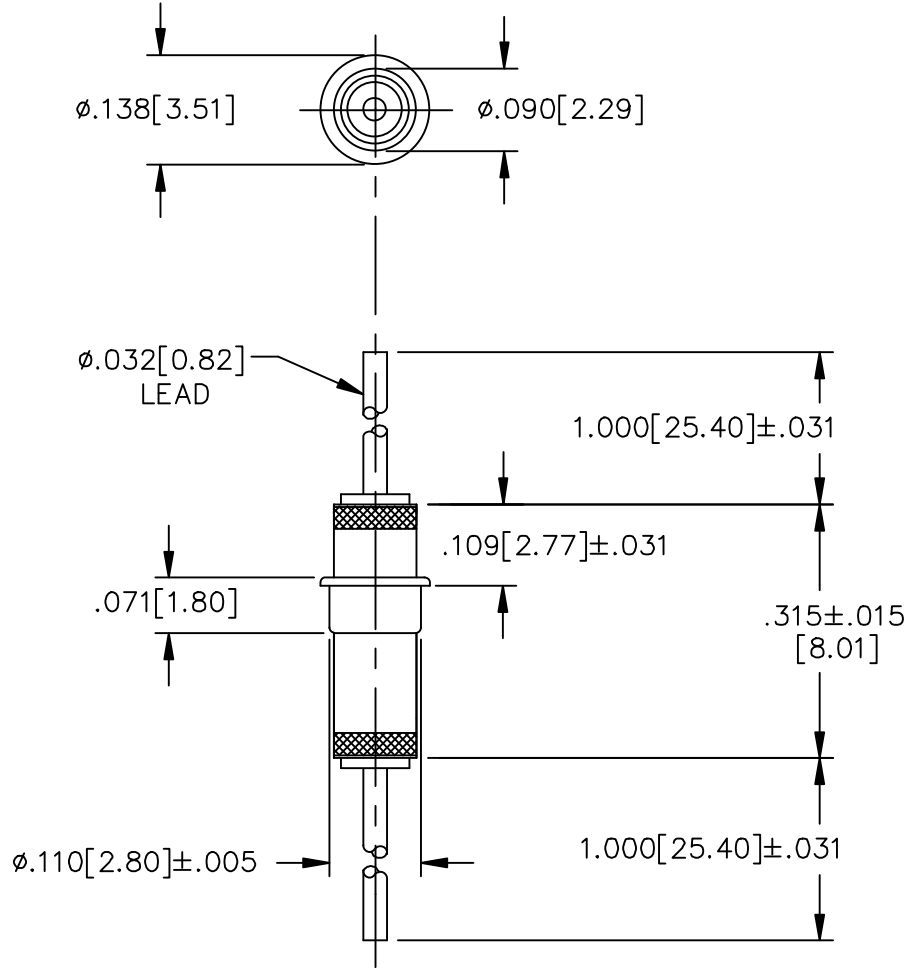


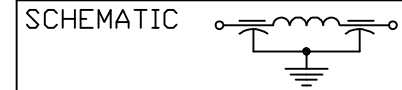
NOTES:

1. SUGGESTED MOUNTING HOLE = ϕ .120
2. MAXIMUM INSTALLATION TEMP.: 500°F



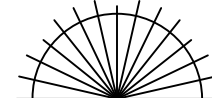
02

LEAD FINISH	SOLDER
EYELET FINISH	SILVER
CAPACITANCE	1500pF MIN.
TEMP. RANGE	-55°C TO 125°C
CURRENT	10 AMP MAX.
WORKING VOLTAGE	85°C 350 VDC MAX. 125°C 200 VDC MAX.
D.C. RESISTANCE	.01ohms MAX.
MIN. I.L. PER MIL-STD-220 AT 25°C NO LOAD	
FREQ. MHz	I.L. (db)
1	N/A
10	5
100	40
1 GHz/10GHz	70



MARKING:

PART: NONE
 BAG: SCI 1251F-001
 DATE CODE
 LOT #
 QTY./BAG (200 MAX.)

	02	01	00	REV. NO.	TOLERANCES UNLESS OTHERWISE SPECIFIED	 SPECTRUM CONTROL INC.	FAIRVIEW PENNSYLVANIA	
	CN 36348-ENG	CN 35258-ENG	CN 34227-CPD	CHANGE NOTICE	Fractions \pm 1/64		Dwn. KAUFFMAN	Description
					Dec. .xx \pm		Date 7-24-07	EYELET FILTER
					Dec. .xxx \pm .010		Engr S.SACKETT	1251F-001
					Angles \pm 0° 30'		Scale NONE	
					CODE IDENT. NO. DLSP2			

